

CONTENTS

[1] Scope of Application	2
[2] General Description	2
[3] Block Diagram	2
[4] Dimensions and marking Layout	3
[5] Pin Description	4
[6] Absolute Maximum Ratings	4
[7] Recommended Operating Conditions	4
[8] Electrical Characteristics	5
[9] Magnetic Characteristics	6
[10] Measuring Circuit	6
[11] Polarity	7
[12] Timing Chart	7
12-1. I2C Bus Timing Chart	7
12-2. Power OFF and Power ON	7
[13] Measurement Timing Diagram	8
13-1. Normal State	8
13-2. Force State	10
13-3. Offset Adjusting	11
13-3-1. Outline of Offset Adjusting	11
13-3-2. HOST Parameter	11
13-3-3. Procedure	11
13-3-4. Offset registers	13
[14] Control Interface	14
14-1. Power Supplies	14
14-1-1. AVDD	14
14-1-2. DVDD	14
14-1-3. Internal dropout regulator	14
14-2. I2C slave interface	14
14-3. Interrupt signal	15
14-4. DRDY signal	16
14-5. Register	17
14-5-1. Output register	17
14-5-2. Control register	17
[15] Command	18
15-1. Command Sequence	18
15-1-1. Read Command	18
15-1-2. Write Command	18
[16] Register	19
16-1. Register type	19
16-2. Register Map	20
16-3. Register Map Details	21
[17] Reliability Test Conditions	32
[18] Solder reflow condition	33
[19] Notes	33

[1] Scope of Application

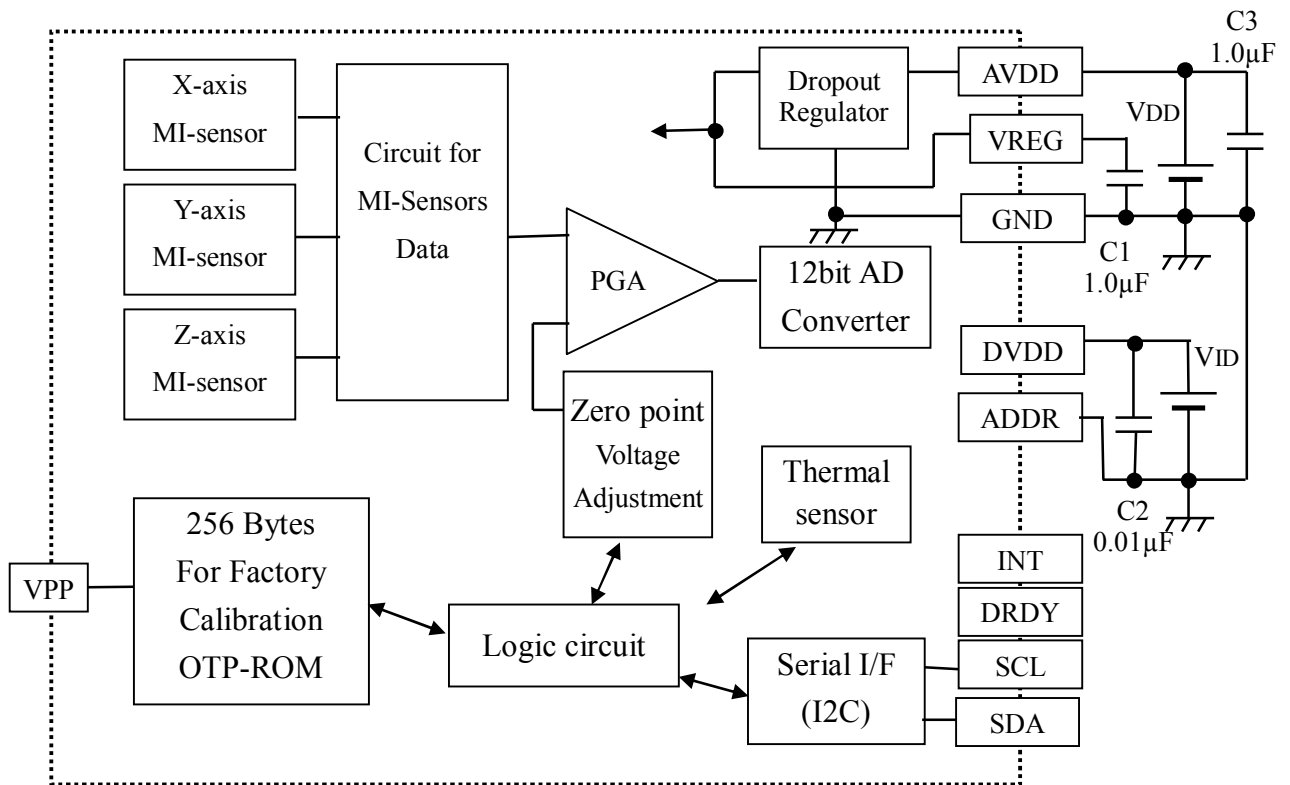
This specification applies to the 3-axis magnetic sensor AMI306 provided to * * * by Aichi Steel Corporation.

[2] General Description

The AMI306 is an intelligent electronic compass that integrates three Magneto-Impedance sensor elements (MI-element) with their controller IC in a single small package.

The controller IC of the AMI306 consists of a circuit for detecting the magnetic signals from three MI-sensor elements, an amplifier capable of compensating each sensors offset and setting appropriate sensitivity values, a thermal sensor for measuring the ambient temperature, a 12bit AD converter, an I2C serial interface circuit and a constant voltage circuit for power control.

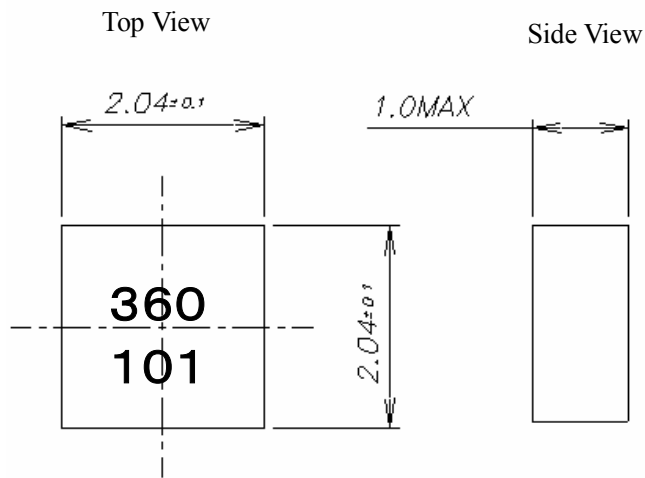
[3] Block Diagram



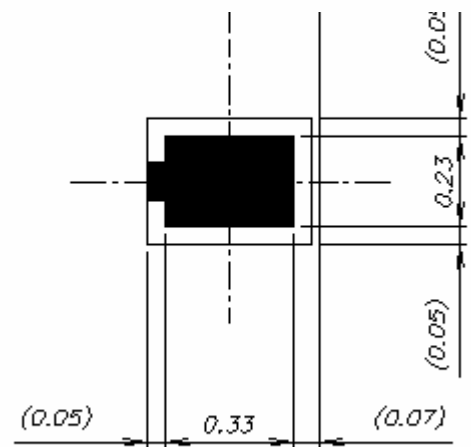
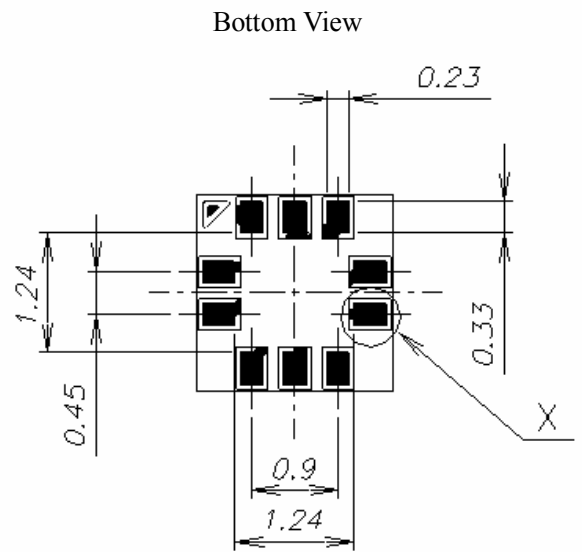
Note)

The control signals SCL and SDA, are not tolerant of voltages more than DVDD + 0.3 volts. If DVDD is removed, the control signals SCL and SDA will clamp any logic signals with their internal ESD protection diodes.

[4] Dimensions and marking Layout



Package Type: LGA10



Detail X

[5] Pin Description

Name	Pin No.	I/O	Description	Reference
AVDD	1	Power	Analog Circuit Power	Please mount a 1.0 μ F bypass capacitor between AVDD and GND, in the proximity of terminals.
GND	2	Power	Analog Circuit Ground	—
VREG	3	Output	Internal regulator Output	Please mount a 1.0 μ F bypass capacitor between VREG and GND, in the proximity of terminals.
INT	4	Output	Interrupt Pin	—
SDA	5	Input & Output	I2C Signal Data I/O	—
VPP	6	-	Testing Pin	Use as Non-Connection (NC).
SCL	7	Input & Output	I2C Signal Clock Input	—
DRDY	8	Output	Completion of Measurement Output	—
ADDR	9	Input	I2C programmable address bit	Please connect to DVDD or GND.
DVDD	10	Power	Digital Circuit Power Input	Please mount a 0.01 μ F bypass capacitor between DVDD and GND, in the proximity of terminals.

[6] Absolute Maximum Ratings

Parameter	Symbol	Ratings	Unit
Supply Voltage	VDD	-0.3 to +5.0	V
	VID	-0.3 to +4.0	V
Storage Temperature	TSTG	-40 to +125	°C
Input Voltage	VIN	-0.3 to VDD+0.3	V

[7] Recommended Operating Conditions

Parameter	Symbol	Min.	Typ.	Max.	Unit
Supply Voltage	VDD	1.70	2.50	3.60	V
	VID	1.70	1.80	VDD	V
Operating Temperature	TOPR	-40	—	+85	°C

[8] Electrical Characteristics

(AVDD= +2.50V 、 DVDD= +1.80V 、 1.0μF ceramic capacitor between AVDD—GND)

Parameter	Symbol	Condition		Min.	Typ.	Max.	Unit
Average Operating Current at Measurement	IDD1	Output Data Rate = 20SPS, Normal-Mode		—	0.15	1	mA
	IID1			—	0.1	2.0	μA
Stand-by-mode Operating Current	IDD2	AVDD= +1.7V to 2.9V		—	7	10	μA
	IID2	—		—	0.1	2.0	μA
OFF-mode Leak Current	IDD3	—		—	—	1	μA
	IID3	—		—	—	1	μA
ADC Resolution	—	—		12			bit
I2C Operating Frequency	fSCL	—		0	—	400	kHz
Start Condition Set-Time	tsta	—		0.6	—	—	μs
High Level Input Voltage	V _{IH}	—		70% DVDD	—	—	V
Low Level Input Voltage	V _{IL}	—		—	—	30% DVDD	V
High Level Output Voltage	V _{OH}	—		80% DVDD	—	—	V
Low Level Output Voltage	V _{OL}	I _{OL} = +3mA		—	—	20% DVDD	V
I2C Address	—	—	ADDR=DVDD	1Fh/read 1Eh/write			
			ADDR=GND	1Dh/read 1Ch/write			
Turn on time 1	tON1	from Off -mode to Stand-by		—	200	250	μs
Turn on time 2	tON2	from Stand-by -mode to Active-mode		—	—	8	μs
Turn off time 1	tOFF1	from Active -mode to Stand-by -mode		—	—	30	μs

[9] Magnetic Characteristics

(AVDD= +2.50V 、 DVDD= +1.80V 、 1.0μF ceramic capacitor between AVDD – GND)

Parameter	Symbol	Condition	Min.	Typ.	Max.	Unit
Moving Range (*1)	Rm	Ta= +25 °C	—	±3.0	—	gauss
Measurable Range (*2)	Ra	Adjust the offset with XOFFSET, YOFFSET, ZOFFSET to prevent from the saturation of output	—	±12	—	gauss
Linearity	Lin	Rm= ±3.0gauss、 Ta= +25 °C	—	0.5	2	%FS
Output Offset/Coltage at Zero Gauss	Vofs	Ta= +25 °C	—	0	—	LSB
		Temperature Drift (Ta= +25 °C Standard Ta=0~+60°C)	-3	—	+3	milligauss /°C
Magnetic Sensitivity	deltaV	Ta= +25 °C	—	600	—	LSB/gauss
		Temperature Drift (Ta= +25 °C Standard 、 Ta=0 ~ +60°C)	-7	—	+5	%
Resolution	—	Ta= +25 °C , Rm= ± 0.3gauss at Horizontal plane	—	±0.9	—	degree
Accuracy (*3) (*4)	—	Ta= +25 °C , Rm= ± 0.3gauss at Horizontal plane	—	±0.6	±1.0	degree
ADC throughput	Fr	Ta= +25 °C	—	—	1000	SPS
Maximum Exposed Field	—	No perming effect on zero reading	—	—	10000	gauss

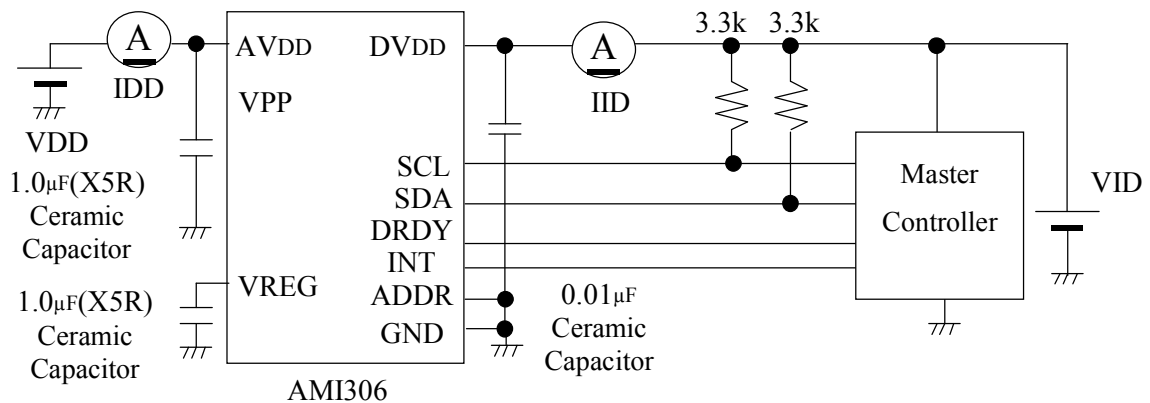
*1: Moving range: preset operating range

*2: Measurable range: overall measurable range within which preset operating range can be fit in by adjusting appropriate offsets.

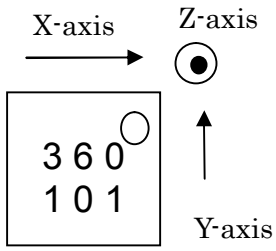
*3: After executing an initial calibration after AMI306 is mounted by the customer

*4: The Cross axial interference correction is done by using "Axis interference" Registers.

[10] Measuring Circuit



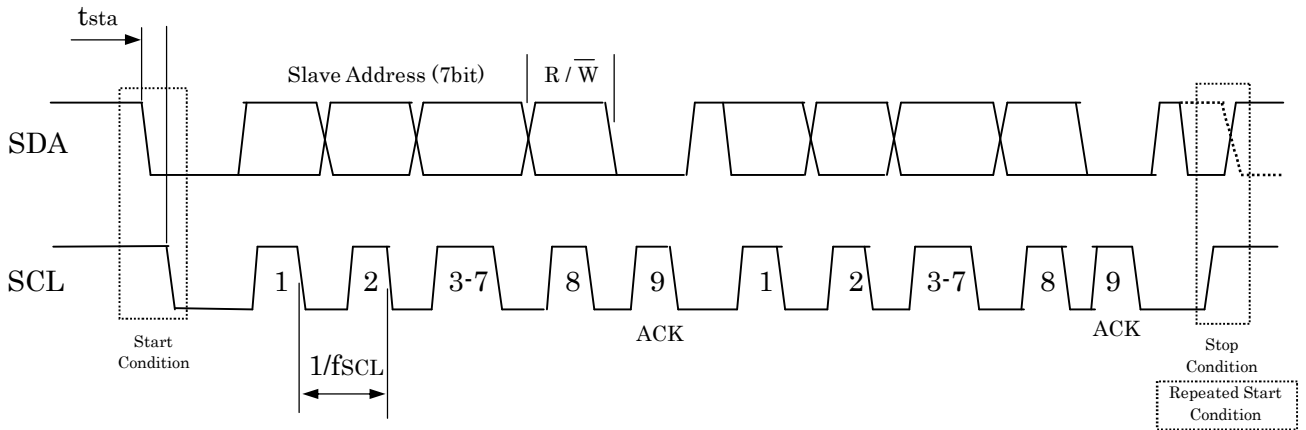
[11] Polarity



When the arrow is directing North output becomes “+”.

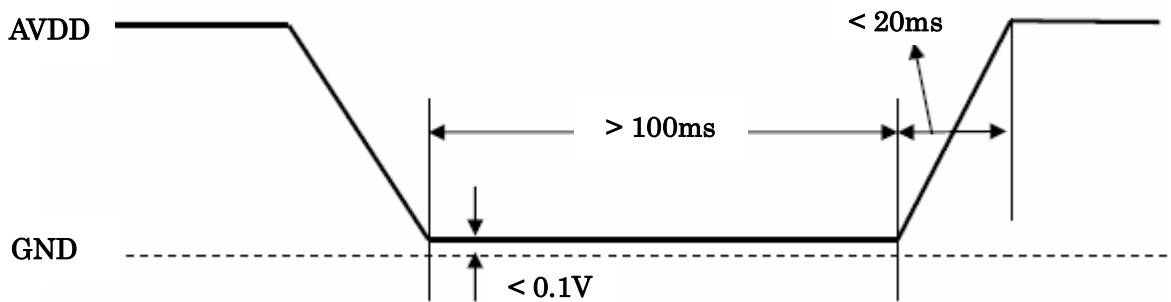
[12] Timing Chart

12-1. I2C Bus Timing Chart



12-2. Power OFF and Power ON

In order to secure stable starting, you have to carry out Power-OFF and Power-ON in the following procedure.



[13] Measurement Timing Diagram

There are two kinds of measurement modes of the following.

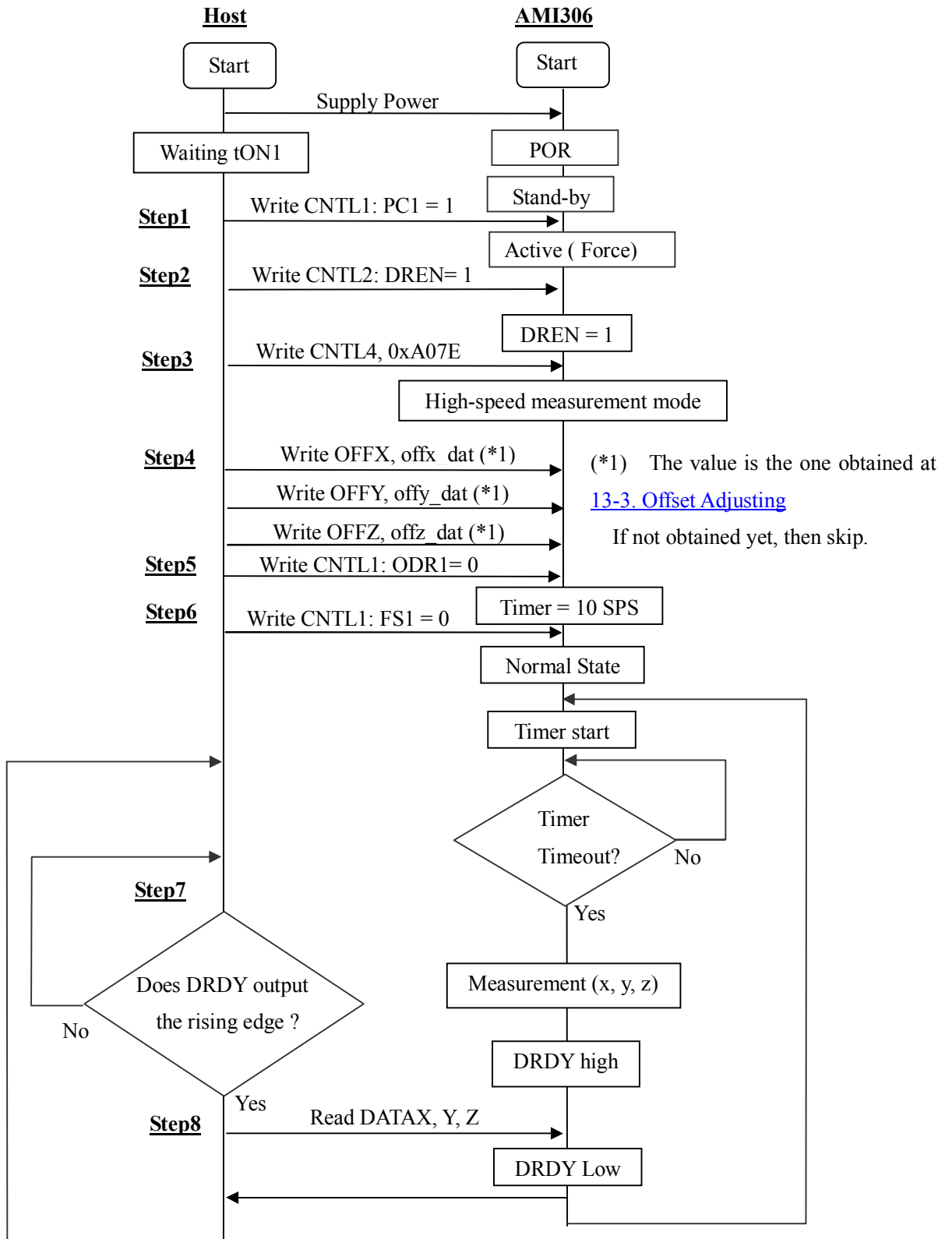
Normal State	AMI306 is measured at specified cycle (10SPS or 20SPS) at the cycle.
Force State	AMI306 is measured by the measurement request from the host.

13-1. Normal State

Normal State sequence

Step1	AMI306 Active (Force State)
Step2	Set DRDY ready function enable
Step3	Set High-speed Measurement Mode
Step4	Set offx_dat, offy_dat, offz_dat
Step5	Set Output Data rate
Step6	Set Normal state
Step7	Does DRDY output the rising edge ?
Step8	Read DATAx, DATAy, DATAz

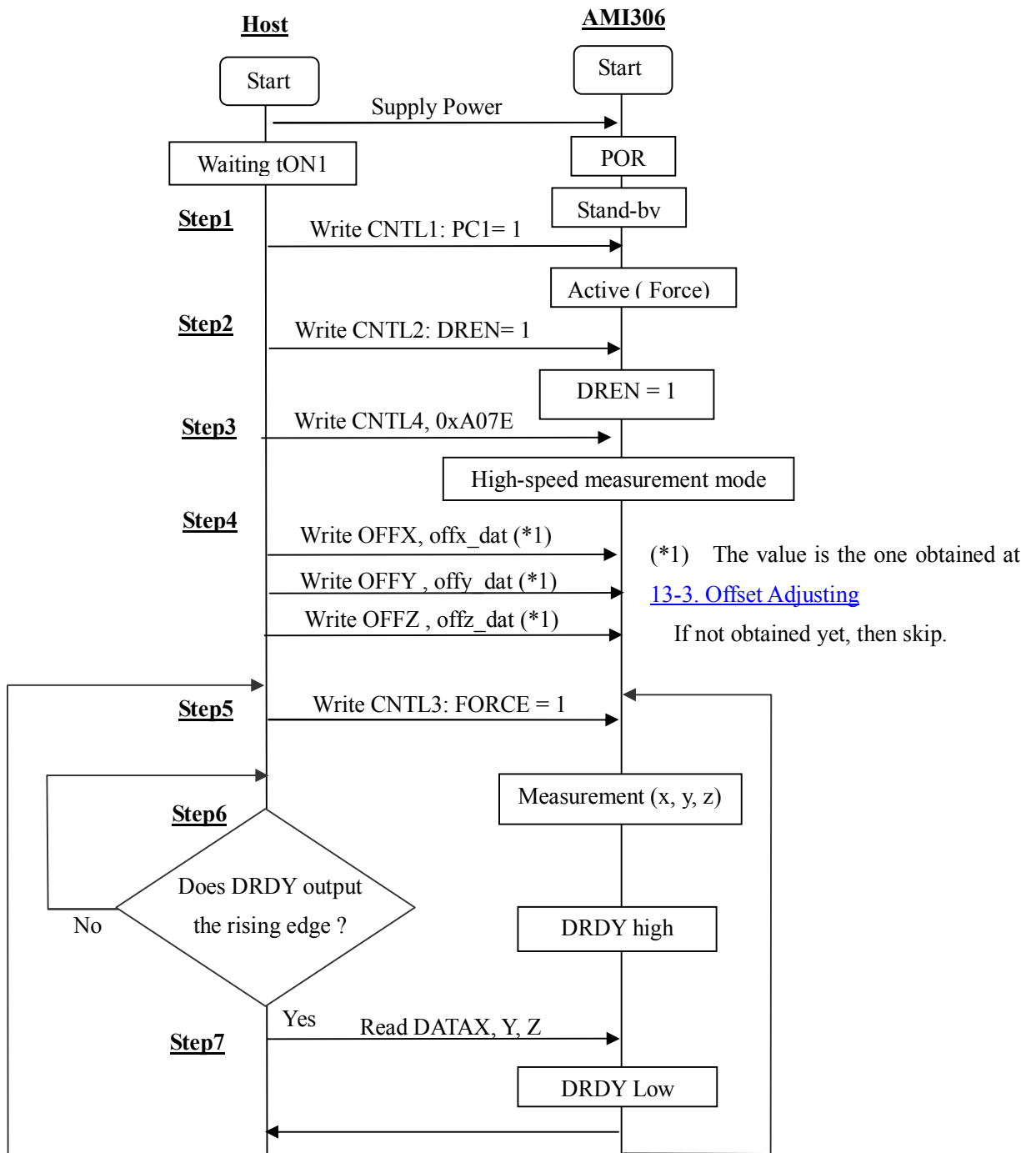
13-1. Normal State (continuance)



13-2. Force State

Force State sequence

Step1	AMI306 Active (Force State)
Step2	Set DRDY ready function enable
Step3	Set High-speed Measurement Mode
Step4	Set offx_dat, offy_dat, offz_dat
Step5	Measurement Request
Step6	Does DRDY output the rising edge ?
Step7	Read DATAX, DATAY, DATAZ
Step8	Next Step6



13-3. Offset Adjusting

13-3-1. Outline of Offset Adjusting

Offset Adjusting is to make the output value around zero under magnetic environment after the implementation by changing movement point electrically.

13-3-2. HOST Parameter

After measuring the following parameter according to [13-3-3. Procedure](#), HOST should save it in memory, and it is necessary to set after power supply injection of AMI306.

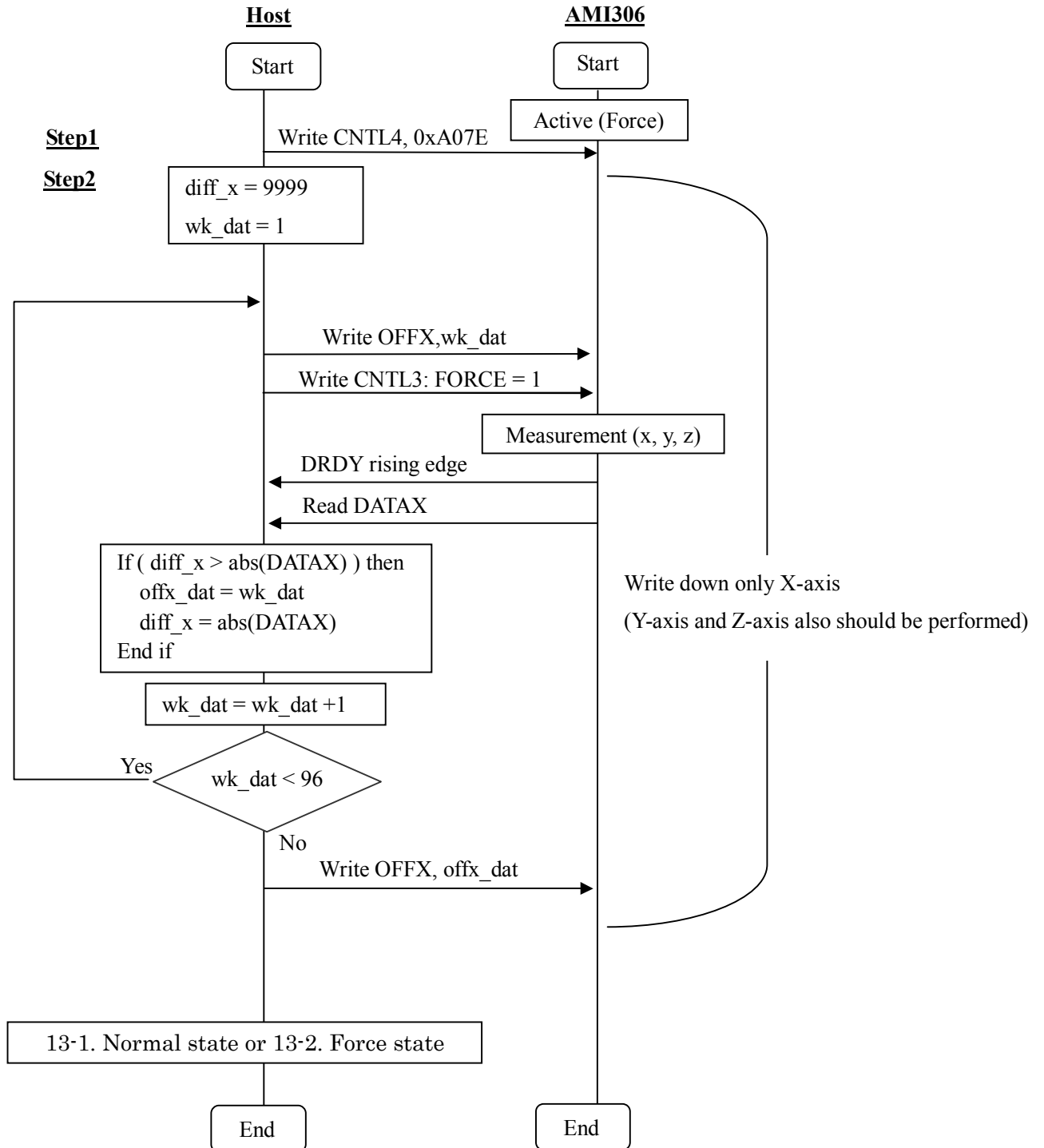
No	Parameter	Contents
1	offx_dat	Adjusted value of X axis offset
2	offy_dat	Adjusted value of Y axis offset
3	offz_dat	Adjusted value of Z axis offset

13-3-3. Procedure

Procedure of Offset Adjusting is as follows.

Step1	offx_dat is obtained by finding the combination of each OFFX:FINE
Step2	To 13-1. Normal state or 13-2. Force state

13-3-3. Procedure (continuance)



13-3-4. Offset registers

There are coarse and fine in the Offset register. Fine is used for the fine-tuning and Coarse is used for the rough tuning.

The table below shows the structure of the Offset X register

	Address	7bit	6bit	5bit	4bit	3bit	2bit	1bit	0bit
OFFX	0x6C	Reserved	fine						
			X	X	X	X	X	X	X
	0x6D	Reserved							

Offset Y register and Offset Z register have same structure

[14] Control Interface

14-1. Power Supplies

14-1-1. AVDD

AVDD is main power supply. The AMI306 works by using this power supply current.

14-1-2. DVDD

DVDD gives the voltage reference for digital logic interface.

14-1-3. Internal dropout regulator

AMI306 is equipped with a constant voltage regulator in order to stabilize AVDD power supply.

14-2. I2C slave interface

I2C interface is shown below

Terminal	Content
SCL	I2C Clock
SDA	I2C Data

Master/ slave	Slave only
Address	<p>Consists of 7-bit address.</p> <p>The address of the IC is 0001111b (0x1F/read, 0x1E/write) when ADDR is connected to DVDD.</p> <p>The address of the IC is 0001110b (0x1D/read, 0x1C/write) when ADDR is connected to GND.</p>
Transfer Rate	Fast mode 400kHz

14-3. Interrupt signal

The interrupt signal monitors the incoming signal level from MI-sensor to the IC. It is the common feature for all measurement modes. If an incoming signal exceeds the preset level, the sequences shown below will be carried out:

- (1) Write the INS1 bit of the relevant axis to 1.
- (2) Collecting INS1 of each axis and write STA1:INT as OR signal of 3-axis.
- (3) Output of STA1:INT(='high') by INT terminal.

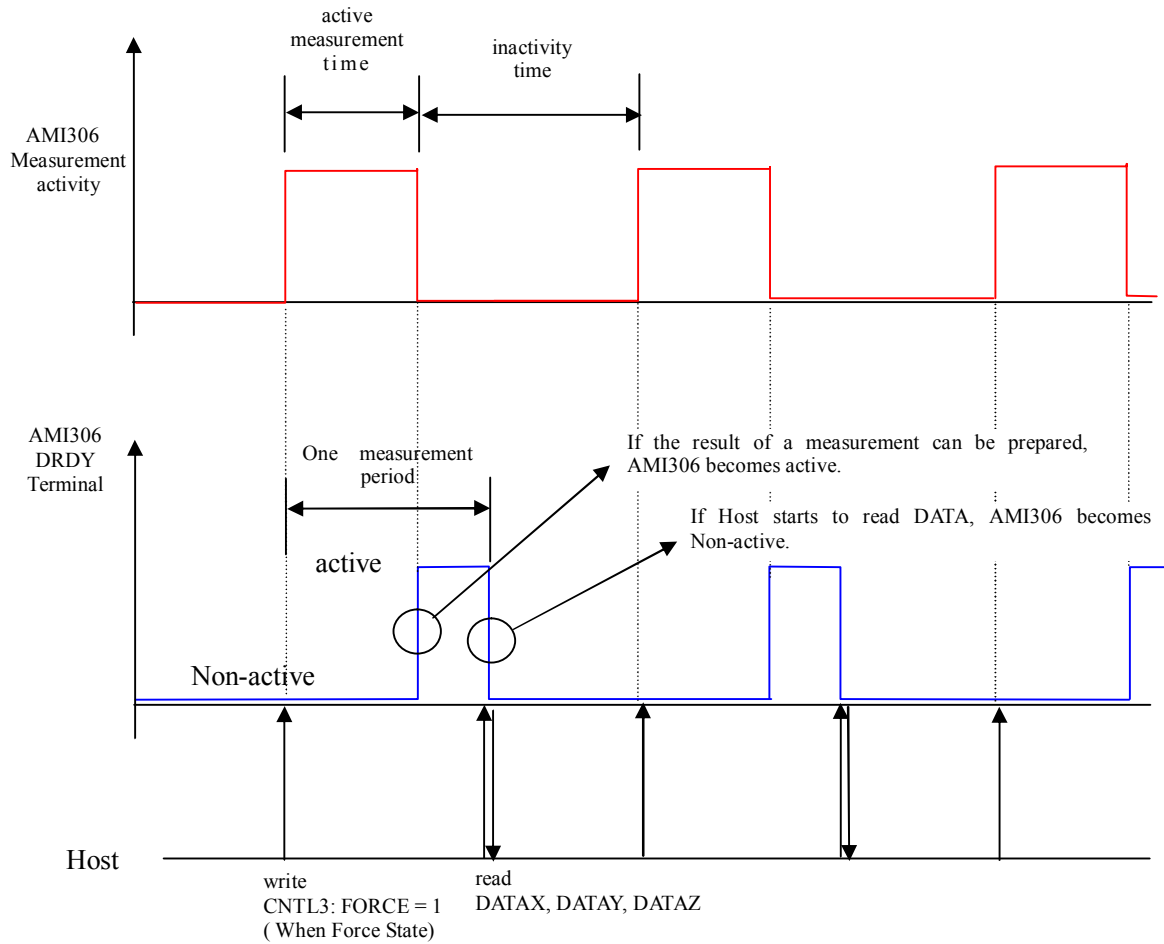
Cancel release is done by reading INL; herewith INS1 of each axis and STA1:INT (INT terminal) are cleared. INS1 tells in which axis the event occurred.

The related registers are as follows:

Register	Register Set Contents
THR1	Preset Level
STA1:INT	Interrupt Occurrence
INS1:PXSI,PYSI,PZSI NXSI,NYSI,NZSI	Interrupt Occurrence of each axis
INL	Interrupt Clear
CNTL2 : IEN	interrupt function Enable/ disable
INC1: XIEN	X interrupt Enable/ disable
INC1: YIEN	Y interrupt Enable/ disable
INC1: ZIEN	Z interrupt Enable/ disable
INC1: IEA	INT Terminal Active level Low / High
INC1: IEL	signal latched/one pluse

14-4. DRDY signal

The sequence of DRDY signal is shown below. This signal becomes active after measurement results become available. It turns non-active again with the execution of next measurement.



※In case the measurement results have not been read out during inactivity time, STA1:DOR is set.

The related registers are as follows:

Register	Content
CNTL2:DREN	DRDY Terminal Enable/ disable
CNTL2:DRP	DRDY Terminal Active Level Low / High
STA1:DRDY	DRDY Status of Terminal
STA1:DOR	Output Data Overrun

14-5. Register

14-5-1. Output register

Output the magnetic measurement results and status.

Magnetic measurement results

DATAX	X channel meas. result
DATA Y	Y channel meas. result
DATAZ	Z channel meas. result

Status register(s)

STAT1	Status
-------	--------

14-5-2. Control register

The registers for controlling the IC are as follows

Control register(s)

Power modes	CNTL1
Functional state	CNTL2
Interrupt controls	INC1 / ITHR1

Measure register(s)

Measurement mode	CNTL1/ CNTL3
Preset time	PRET
Temperature	TEMP

[15] Command

15-1. Command Sequence

There are 2 patterns of commands: read command and write command.
 Read command is used for reading registers and accessing output values.
 Write command is used for register setup.

The command sequences are shown below

15-1-1. Read Command

Master	S	SAD+W(*1)		RAD		Sr	SAD+R(*1)			A		A		N	P
Slave			A		A			A	RDA1		RDA2		.		

Term	Definition	Term	Definition
S	Start Condition	SAD + W	slave address + write (0x1E or 0x1C)
Sr	Restart Condition	SAD + R	slave address + read (0x1F or 0x1D)
A	ACK (SDA_Low)	RAD	Read-in address (register)
N	NACK (SDA_High)	RDA1	Read-in data 1
P	Stop Condition	RDA2	Read-in data 2

(*1)

7	6	5	4	3	2	1	0
SAD							W/R

15-1-2. Write Command

Master	S	SAD+W(*1)		WAD		WDA1		WDA2		...		P
Slave			A		A		A		A		A	

Term	Definition	Term	Definition
S	Start Condition	SAD + W	slave address + write (0x1E or 0x1C)
A	ACK (SDA_Low)	WAD	Write-in address (register)
N	NACK (SDA_High)	WDA1	Write-in data 1
P	Stop Condition	WDA2	Write-in data 2

(*1)

7	6	5	4	3	2	1	0
SAD							W/R

[16] Register

16-1. Register type

The register types are as follows:

Type	Item	Comment
TYPE1	Control and Condition	Unsigned 1 byte (unsigned char).
TYPE2	Reserved	2's complement signed 1 byte. -128d = 0x80 0d = 0 127d = 0x7F
TYPE3	Output of Magnetism	2's complement signed 2 byte. -2048d = 0xF800 0d = 0x0000 2047d = 0x07FF Storage Form is in Little Endian.
TYPE4	Interrupt threshold	unsigned 2 byte. 0d = 0x0000 2047d = 0x07FF Storage Form is in Little Endian.

16-2. Register Map

The table below provides a listing of the registers. Each address data with is of 8 bit.

Reg.Name	Address	Type	R/W	Set Contents	Remark
Not used	0x00-0x0B	-	-	-	-
INFO	0x0D/0x0E	×	R	More Info	-
WIA	0x0F	TYPE1	R	Who I am	-
DATA_X	0x10/0x11	TYPE3	R	X Output value	-
DATA_Y	0x12/0x13	TYPE3	R	Y Output value	-
DATA_Z	0x14/0x15	TYPE3	R	Z Output value	-
INS1	0x16	TYPE1	R	Interrupt source1	-
Not used	0x17	-	-	-	-
STAT1	0x18	TYPE1	R	Status1	-
Not used	0x19	-	-	-	-
INL	0x1A	TYPE1	R	Interrupt release	-
CNTL1	0x1B	TYPE1	R/W	Control setting 1	-
CNTL2	0x1C	TYPE1	R/W	Control setting 2	-
CNTL3	0x1D	TYPE1	R/W	Control setting 3	-
INC1	0x1E	TYPE1	R/W	Interrupt Control1	-
Not used	0x1F	-	-	-	-
ITHR1	0x26/0x27	TYPE4	R/W	Interrupt threshold	-
-	0x28-0x2F	-	-	Reserved	-
PRET	0x30	TYPE1	R/W	Preset time	-
-	0x46-0x5B	-	-	Reserved	-
CNTL4	0x5C/0x5D	TYPE4	R/W	Control setting 4	-
-	0x5E-0x5F	-	-	Reserved	-
TEMP	0x60/0x61	TYPE4	R	Temperature value	-
OFFX	0x6C/0x6D	TYPE4	R/W	Offset X value	-
OFFY	0x72/0x73	TYPE4	R/W	Offset Y value	-
OFFZ	0x78/0x79	TYPE4	R/W	Offset Z value	-
-	0x7A-0x8F	-	-	Reserved	-
FINEOUTPUTX	0x90/0x91	TYPE4	R	DATA_X value per OFFX	-
FINEOUTPUTY	0x92/0x93	TYPE4	R	DATA_Y value per OFFY	-
FINEOUTPUTZ	0x94/0x95	TYPE4	R	DATA_Z value per OFFZ	-
SENSX	0x96/0x97	TYPE4	R	Sensitivity X value	-
SENSY	0x98/0x99	TYPE4	R	Sensitivity Y value	-
SENSZ	0x9A/0x9B	TYPE4	R	Sensitivity Z value	-
GAIN_PARAX	0x9C/0x9D	TYPE4	R	Axis interference X value	-
GAIN_PARAY	0x9E/0x9F	TYPE4	R	Axis interference Y value	-
GAIN_PARAZ	0xA0/0xA1	TYPE4	R	Axis interference Z value	-
VER	0xE8/0xE9	TYPE4	R	Firmware version	-
SN	0xEA/0xEB	TYPE4	R	Serial Number	-
OFFZEROX	0xF8/0xF9	TYPE4	R	3axis Offset value at zero magnetic field	-
OFFZEROX	0xFA/0xFB	TYPE4	R		-
OFFZEROX	0xFC/0xFD	TYPE4	R		-

Note1) Please communicate TYPE3 and TYPE4 bringing 2bytes together.

16-3. Register Map Details

“Information “ Register

Information

Register	Type	Main Usage
INFO	16bit / R	-

	Address	7bit	6bit	5bit	4bit	3bit	2bit	1bit	0bit
INFO	0x0D	X	X	X	X	X	X	X	X
	0x0E	X	X	X	X	X	X	X	X

“Who I Am “ Register

Who I Am

Register	Type	Main Usage
WIA	8bit / R	Identify byte

	Address	7bit	6bit	5bit	4bit	3bit	2bit	1bit	0bit
WIA	0x0F	0x46							

“ Output value “ Registers

X Output value

Register	Type	Main Usage
DATAX	16bit / R	X channel measurement result

	Address	7bit	6bit	5bit	4bit	3bit	2bit	1bit	0bit
DATAX	0x10	LSB7	LSB6	LSB5	LSB4	LSB3	LSB2	LSB1	LSB0
	0x11	MSB7	MSB6	MSB5	MSB4	MSB3	MSB2	MSB1	MSB0

Y Output value

Register	Type	Main Usage
DATA Y	16bit / R	Y channel measurement result

	Address	7bit	6bit	5bit	4bit	3bit	2bit	1bit	0bit
DATA Y	0x12	LSB7	LSB6	LSB5	LSB4	LSB3	LSB2	LSB1	LSB0
	0x13	MSB7	MSB6	MSB5	MSB4	MSB3	MSB2	MSB1	MSB0

Z Output value

Register	Type	Main Usage
DATAZ	16bit / R	Z channel measurement result

	Address	7bit	6bit	5bit	4bit	3bit	2bit	1bit	0bit
DATAZ	0x14	LSB7	LSB6	LSB5	LSB4	LSB3	LSB2	LSB1	LSB0
	0x15	MSB7	MSB6	MSB5	MSB4	MSB3	MSB2	MSB1	MSB0

“Interrupt source “ Register

Interrupt source

Register	Type	Main Usage
INS1	8bit R	To hold the Interrupt event with each axis measure.

	Address	7bit	6bit	5bit	4bit	3bit	2bit	1bit	0bit
INS1	0x16	PXSI	PYSI	PZSI	NXSI	NYSI	NZSI	NZSI	-

bit	Name	Contents	Default
7	PXSI	1= When Interrupt event (Beyond the threshold of ITHR1) occurs in positive X-axis. After setting of 1, it is cleared by reading INL.	0
6	PYSI	1= When Interrupt event (Beyond the threshold of ITHR1) occurs in positive Y-axis. After setting of 1, it is cleared by reading INL	0
5	PZSI	1= When Interrupt event (Beyond the threshold of ITHR1) occurs in positive Z-axis. After setting of 1, it is cleared by reading INL	0
4	NXSI	1= When Interrupt event (Beyond the threshold of ITHR1) occurs in negative X-axis. After setting of 1, it is cleared by reading INL.	0
3	NYSI	1= When Interrupt event (Beyond the threshold of ITHR1) occurs in negative Y-axis. After setting of 1, it is cleared by reading INL	0
2	NZSI	1= When Interrupt event (Beyond the threshold of ITHR1) occurs in negative Z-axis. After setting of 1, it is cleared by reading INL	0
1	MROI	Out of measurement range (range overflow) (in common throughout all axes)	0
0	-	-	-

“Status” Register

Status1

Register	Type	Main Usage
STA1	8bit R	Store pin output information

	Address	7bit	6bit	5bit	4bit	3bit	2bit	1bit	0bit
STA1	0x18	RES	DRDY	DOR	INT	-	-	-	-

bit	Name	Contents	Default
7	RES	Reserved	-
6	DRDY	This bit is output to the DRDY to inform the preparation status of the measuring data 0: Not ready NG 1: Ready OK	0
5	DOR	Set 1 = In case the measurement results have not been read out during inactivity time • After setting of 1, it is cleared by reading command.	0
4	INT	This bit is output to the INT to inform the Interrupt event. 0 = No Interrupt event 1 = Interrupt event occurred • INS1 tells in which axis the event occurred. • After setting of 1, it is cleared by reading INL.	0
3	-	-	-
2	-	-	-
1	-	-	-
0	-	-	-

“Interrupt release” Register

Interrupt release

Register	Type	Main Usage
INL	8bit R	By reading the actual register INS1 and STA:INT bit is cleared.

	Address	7bit	6bit	5bit	4bit	3bit	2bit	1bit	0bit
INL	0x1A	-	-	-	-	-	-	-	-

“Control Setting” Register

Control Setting1

Register	Type	Main Usage
CNTL1	8bit R/W	Set the Power mode and Measure mode

	Address	7bit	6bit	5bit	4bit	3bit	2bit	1bit	0bit
CNTL1	0x1B	PC1	PC2	SC	ODR1	ODR2-	ODR3	FS1	FS2

bit	Name	Contents	Default
7	PC1	Set Power Model 0 = stand-by 1 = active	0
6	PC2	Reserved	0
5	SC	Reserved	0
4	ODR1	Set Out Data rate1 0 = 10 SPS(10Hz) 1 = 20 SPS (20Hz)	0
3	ODR2	Reserved	0
2	ODR3	Reserved	0
1	FS1	Set Measurement Mode. 0 = Normal 1 = Force	1
0	FS2	Reserved	0

Control Setting2

Register	Type	Main Usage
CNTL2	8bit R/W	Set to the Enable or Disable for Interrupt or DREN pin

	Address	7bit	6bit	5bit	4bit	3bit	2bit	1bit	0bit
CNTL2	0x1C	RES	RES	RES	IEN	DREN	DRP	RES	RES

bit	Name	Contents	Default
7	RES	Reserved	0
6	RES	Reserved	0
5	RES	Reserved	0
4	IEN	Set the enable for INT 0 = Disable 1 = Enable	0
3	DREN	Set the enable for DRDY 0 = Disable 1 = Enable	0
2	DRP	Set the Active for DRDY 0 = low 1 = high	1
1	RES	Reserved	0
0	RES	Reserved	0

Control Setting3

Register	Type	Main Usage
CNTL3	8bit R/W	Set the control parameter

	Address	7bit	6bit	5bit	4bit	3bit	2bit	1bit	0bit
CNTL3	0x1D	SRST	FORCE	RES	-	-	-	-	-

bit	Name	Contents	Default
7	SRST	Soft reset, perform to same routine as POR 0 = no action 1 = start immediately POR routine -This bit is reset to zero after POR routine	0
6	FORCE	Starts forced measurement period. 0 = no action 1 = start immediately measurement period -This bit is reset to zero after measurement period Done - Possible only when force mode selected (CNTL1, bit FS1=1)	0
5	RES	Reserved	0
4	RES	Reserved	0
3	RES	Reserved	0
2	RES	Reserved	0
1	RES	Reserved	0
0	RES	Reserved	0

“Interrupt control” Register

Interrupt control 1

Register	Type	Main Usage
INC1	8bit / R/W	Set of Interrupt Control Parameter.

	Address	7bit	6bit	5bit	4bit	3bit	2bit	1bit	0bit
INC1	0x1E	XIEN	YIEN	ZEN	-	IEA	IEL	-	-

bit	Name	Contents	Default
7	XIEN	Enable X-axis Interrupt 0 = Disable 1 = Enable	1
6	YIEN	Enable Y-axis Interrupt 0 = Disable 1 = Enable	1
5	ZEN	Enable Z-axis Interrupt 0 = Disable 1 = Enable	1
4	-	-	0
3	IEA	Set Interrupt Active 0 = low 1 = high	1
2	IEL	Set Interrupt Signal 0 = latched 1 = one pluse(0.05ms)	0
1	--	-	0
0	--	-	-

“Interrupt threshold” register

Set the Interrupt threshold. . Data size is 2 byte. The set values are as given below:

Use the In Interrupt threshold for three-axis

Interrupt threshold1

Register	Type	Main Usage
ITHR1	16bit / R/W	Set Interrupt threshold

	Address	7bit	6bit	5bit	4bit	3bit	2bit	1bit	0bit
ITHR1	0x26	LSB7	LSB6	LSB5	LSB4	LSB3	LSB2	LSB1	LSB0
	0x27	MSB7	MSB6	MSB5	MSB4	MSB3	MSB2	MSB1	MSB0

“Preset Time” register

Preset Time

Register	Type	Main Usage
PRET	8bit / R/W	Preset time before measurement

	Address	7bit	6bit	5bit	4bit	3bit	2bit	1bit	0bit
PRET	0x30	-	-	-	-	PS3	PS2	PS1	PS0

bit	Name	Content	Default
7	-	-	0
6	-	-	0
5	-	-	0
4	-	-	0
3	PS3	-	0
2	PS2	-	0
1	PS1	-	0
0	PS0	--	0

“Control Setting” Register

Control Setting4

Register	Type	Main Usage
CNTL4	16bit / R/W	Control of the measurement mode

		Address	7bit	6bit	5bit	4bit	3bit	2bit	1bit	0bit
CNTL4		0x5C	RES	RES	RES	RES	RES	RES	RES	RES
		0x5D	RES	RES	RES	RES	RES	RES	RES	RES
Address	bit	Name	Content							Default
0x5C	7	RES	Reserved							0
0x5C	6	RES	Reserved							0
0x5C	5	RES	Reserved							0
0x5C	4	RES	Reserved							0
0x5C	3	RES	Reserved							0
0x5C	2	RES	Reserved							0
0x5C	1	RES	Reserved							0
0x5C	0	RES	Reserved							0
0x5D	7	RES	Reserved							0
0x5D	6	RES	Reserved							0
0x5D	5	RES	Reserved							0
0x5D	4	RES	Reserved							0
0x5D	3	RES	Reserved							0
0x5D	2	RES	Reserved							0
0x5D	1	RES	Reserved							0
0x5D	0	RES	Reserved							0

“Temperature sensor output value” Register

Temperature sensor output value

Register	Type	Main Usage
TEMP	16bit / R	Temperature code

		Address	7bit	6bit	5bit	4bit	3bit	2bit	1bit	0bit
TEMP		0x60	LSB7	LSB6	LSB5	LSB4	LSB3	LSB2	LSB1	LSB0
		0x61	MSB7	MSB6	MSB5	MSB4	MSB3	MSB2	MSB1	MSB0

“Offset” registers

Set the electronic movement point. Data size is 2 bytes. The default value in different for each pieces. The set values are as given below:

Offset X

Register	Type	Main Usage							
OFFX	16bit / R/W	X-axis offset adjusting							
	Address	7bit	6bit	5bit	4bit	3bit	2bit	1bit	0bit
OFFX	0x6C	Reserved	X	X	X	X	X	X	X
	0x6D	Reserved							

Offset Y

Register	Type	Main Usage							
OFFY	16bit / R/W	Y-axis offset adjusting							
	Address	7bit	6bit	5b	4bit	3bit	2bit	1bit	0bit
OFFY	0x72	Reserved	X	X	X	X	X	X	X
	0x73	Reserved							

Offset Z

Register	Type	Main Usage							
OFFZ	16bit / R/W	Z-axis offset adjusting							
	Address	7bit	6bit	5bit	4bit	3bit	2bit	1bit	0bit
OFFZ	0x78	Reserved	X	X	X	X	X	X	X
	0x79	Reserved							

“ Firmware version“ Register

Register	Type	Main Usage							
VER	16bit / R	Firmware version							
	Address	7bit	6bit	5bit	4bit	3bit	2bit	1bit	0bit
VER	0xE8	RES	Firmware version						
	0xE9	RES	RES	RES	RES	RES	RES	RES	RES

“ Serial Number“ Register

Register	Type	Main Usage							
SN	16bit / R	Serial Number							
	Address	7bit	6bit	5bit	4bit	3bit	2bit	1bit	0bit
SN	0xEA	LSB7	LSB6	LSB5	LSB4	LSB3	LSB2	LSB1	LSB0
	0xEB	MSB7	MSB6	MSB5	MSB4	MSB3	MSB2	MSB1	MSB0

“ Sensitivity “ Registers

X value

Register	Type	Main Usage
SENSX	16bit / R	X channel Sensitivity

	Address	7bit	6bit	5bit	4bit	3bit	2bit	1bit	0bit
SENSX	0x96	LSB7	LSB6	LSB5	LSB4	LSB3	LSB2	LSB1	LSB0
	0x97	MSB7	MSB6	MSB5	MSB4	MSB3	MSB2	MSB1	MSB0

Y value

Register	Type	Main Usage
SENSY	16bit / R	Y channel Sensitivity

	Address	7bit	6bit	5bit	4bit	3bit	2bit	1bit	0bit
SENSY	0x98	LSB7	LSB6	LSB5	LSB4	LSB3	LSB2	LSB1	LSB0
	0x99	MSB7	MSB6	MSB5	MSB4	MSB3	MSB2	MSB1	MSB0

Z value

Register	Type	Main Usage
SENSZ	16bit / R	Z channel Sensitivity

	Address	7bit	6bit	5bit	4bit	3bit	2bit	1bit	0bit
SENSZ	0x9A	LSB7	LSB6	LSB5	LSB4	LSB3	LSB2	LSB1	LSB0
	0x9B	MSB7	MSB6	MSB5	MSB4	MSB3	MSB2	MSB1	MSB0

“ Axis interference “ Registers

X value

Register	Type	Main Usage
GAIN_PARAX	16bit / R	X channel Axis interference

	Address	7bit	6bit	5bit	4bit	3bit	2bit	1bit	0bit
GAIN PARA XZ	0x9C	-	-	-	-	-	-	-	-
GAIN PARA XY	0x9D	-	-	-	-	-	-	-	-

Y value

Register	Type	Main Usage
GAIN_PARAY	16bit / R	Y channel Axis interference

	Address	7bit	6bit	5bit	4bit	3bit	2bit	1bit	0bit
GAIN PARA YZ	0x9E	-	-	-	-	-	-	-	-
GAIN PARA YX	0x9F	-	-	-	-	-	-	-	-

Z value

Register	Type	Main Usage
GAIN_PARAZ	16bit / R	Z channel Axis interference

	Address	7bit	6bit	5bit	4bit	3bit	2bit	1bit	0bit
GAIN PARA ZY	0xA0	-	-	-	-	-	-	-	-
GAIN PARA ZX	0xA1	-	-	-	-	-	-	-	-

“ DATA of change per OFFSET” Registers

DATAX value per OFFX

Register	Type	Main Usage							
FINEOUTPUTX	16bit / R	DATAX value per OFFX							
	Address	7bit	6bit	5bit	4bit	3bit	2bit	1bit	0bit
FINEOUTPUTX	0x90	LSB7	LSB6	LSB5	LSB4	LSB3	LSB2	LSB1	LSB0
	0x91	MSB7	MSB6	MSB5	MSB4	MSB3	MSB2	MSB1	MSB0

DATA Y value per OFFY

Register	Type	Main Usage							
FINEOUTPUTY	16bit / R	DATA Y value per OFFY							
	Address	7bit	6bit	5bit	4bit	3bit	2bit	1bit	0bit
FINEOUTPUTY	0x92	LSB7	LSB6	LSB5	LSB4	LSB3	LSB2	LSB1	LSB0
	0x93	MSB7	MSB6	MSB5	MSB4	MSB3	MSB2	MSB1	MSB0

DATA Z value per OFFZ

Register	Type	Main Usage							
FINEOUTPUTZ	16bit / R	DATA Z value per OFFZ							
	Address	7bit	6bit	5bit	4bit	3bit	2bit	1bit	0bit
FINEOUTPUTZ	0x94	LSB7	LSB6	LSB5	LSB4	LSB3	LSB2	LSB1	LSB0
	0x95	MSB7	MSB6	MSB5	MSB4	MSB3	MSB2	MSB1	MSB0

“ Offset at ZERO magnetic field.” Registers

Register	Type	Main Usage							
OFFZEROX	16bit / R	X-axis offset value at ZERO magnetic field							
	Address	7bit	6bit	5bit	4bit	3bit	2bit	1bit	0bit
OFFZEROX	0xF8	Reserved	X	X	X	X	X	X	X
	0xF9	Reserved							

Register	Type	Main Usage							
OFFZEROY	16bit / R	Y-axis offset value at ZERO magnetic field							
	Address	7bit	6bit	5bit	4bit	3bit	2bit	1bit	0bit
OFFZEROY	0xFA	Reserved	X	X	X	X	X	X	X
	0xFB	Reserved							

Register	Type	Main Usage							
OFFZEROZ	16bit / R	Z-axis offset value at ZERO magnetic field							
	Address	7bit	6bit	5bit	4bit	3bit	2bit	1bit	0bit
OFFZEROZ	0xFC	Reserved	X	X	X	X	X	X	X
	0xFD	Reserved							

[17] Reliability Test Conditions

No.	Test Item	Test Condition [In accordance to EIAJ ED-4701]	*1. Preparation	Test-Time	n(C=0) [LTPD]	Criterion
1	High Temp. Storage	Ta=+125°C	No	1000 hours	22 [10%]	Change rate of the electro-magnetic characteristics must be less than ±20% .
2	Low Temp. Storage	Ta= -40°C	No	1000 hours	22 [10%]	
3	Temperature Humidity Storage	Ta=+85°C, RH= 85%	1)+2)	1000 hours	22 [10%]	
4	High Temp. Bias	Ta=+125°C, VDD= +3.6V	No	1000 hours	22 [10%]	
5	High Temp. Humidity Bias	Ta=+85°C, RH= 85%, VDD= +3.6V	1)+2)	1000 hours	22 [10%]	
6	Temperature Cycle Test	-40°C ↔ +125°C (30min-5min-30min)	1)+2)	100 cycles	22 [10%]	
7	Thermal shock	-40°C ↔ +125°C (5min-10s-5min)	1)+2)	100 cycles	22 [10%]	
8	Solder Heat Resistance	Infrared Reflow (See graph below: High temp. Reflow peak is below 260°C)	1)	3 times	22 [10%]	
9	ESD Sensitivity	C= 100pF, R= 1.5k ohm, ±2kV (Min.)	No	3 times	22 [10%]	
10	CDM Sensitivity	±500V	No	1 time	22 [10%]	
11	Circuit Board Flex	Support Span 90mm, Flex 3mm, 5±1second hold	No	1 time	22 [10%]	
12	Solderability	Ta=+235°C	3)	3 seconds	22 [10%]	Covered with solder more than 95% of the dipped portion of the terminal.
13	Sensor Body Strength	R0.5 pressure jig, 10N、10±1sec hold	No	1 time	22 [10%]	Mechanical Characteristics

[Preparation conditions] (Ref.: EIAJ ED4701-2 B101A)

- 1) Saturation Humidification processing :
(Ta= +85°C, RH= 30%, t= 168 hours, + Ta= +30°C, RH= 70%, t= 168 hours)
- 2) Infrared Reflow (continuously for 3 times)
- 3) Water vapor aging (4 hours)

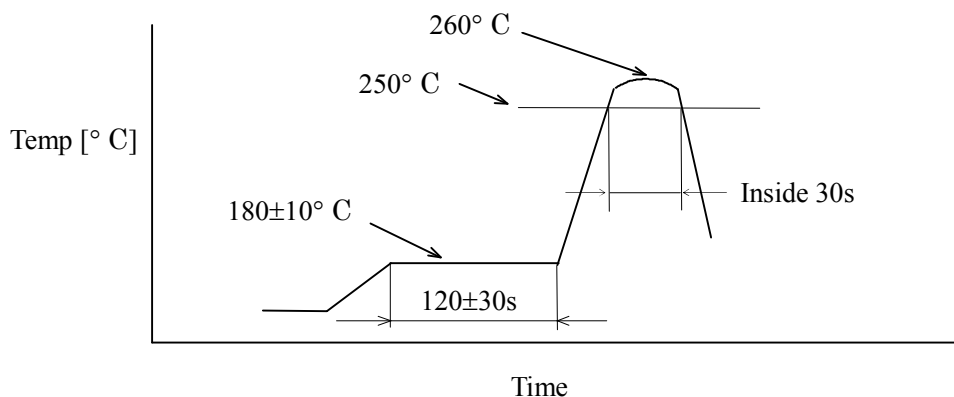


Fig.1. Infrared Reflow Heating Conditions

[18] Solder reflow condition

Solder reflow condition is shown below.

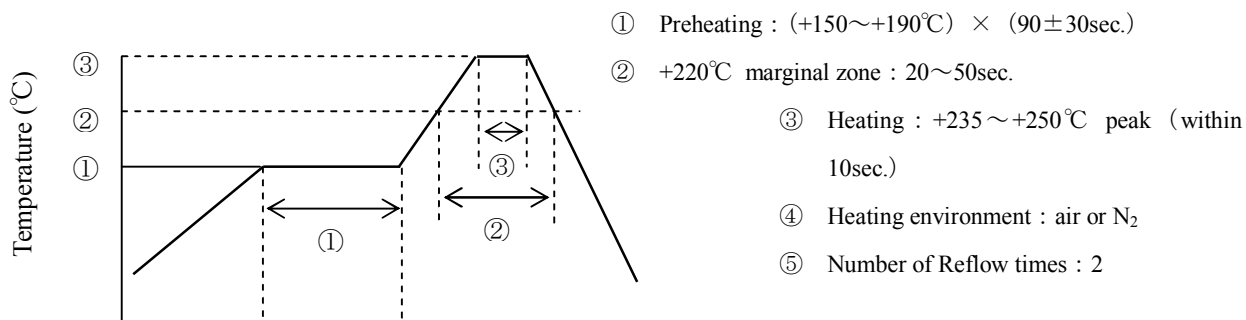


Fig.2. Solder reflow condition

Repair should be carried out with following conditions : +250~+270°C × within 30 sec.

Heating time + within 150 sec. (Including preheating time 70sec.)

In case moisture absorbent products are used, the repair should be carried out after baking.

[19] Notes

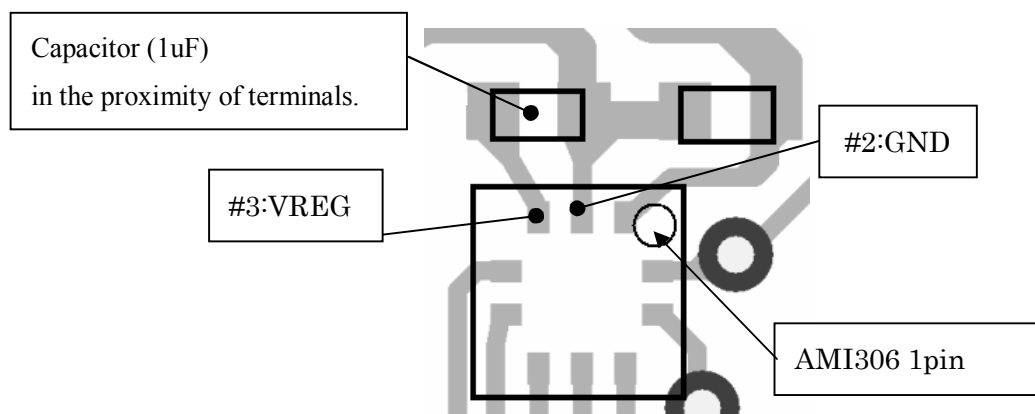
- 1) This device uses a C-MOS IC. Please take precautions to prevent damage due to electrical static discharge.
- 2) In order to obtain stable operation please place a X5R ceramic capacitor (capacity more than 0.47 μ F) between AVDD-GND a X5R ceramic capacitor (capacity more than 0.01 μ F) between DVDD-GND. Please set these capacitors in neighborhood to the pins.
- 3) The writing pattern to AVDD and GND hold be as wide as possible in order to reduce high frequency impedance.
- 4) Storage Method (moisture-proof and packed condition)
 - a) Please do not leave the device in the following environments:
 - * High temperature and high humidity
 - * Places with direct sun light
 - * Places with extreme temperature changes
 - * Dusty places
 - * In corrosive gas
 - b) Recommended storage temperature and humidity:
 - * +5°C~+30°C, below 70%RH, please use device within one year.
 (If the device does not use over one year, the specification may not be satisfied.)
- 5) Usage after opening the moisture-proof package
 - a) Please apply devices within 7days under the condition of +5°C~+30°C、below 70%RH.
 The storage in the moisture-proof room (+5°C~+30°C、below 30%RH) is recommended.
 - b) When the devices storage in the moisture- proof room (+30°C、below10%RH), please apply them within 1 year.
 - c) Over 7days after opening the package with a) condition above, please apply baking according to the following conditions.

< Baking condition >

- i) +60°C × 168Hr or +40°C × 200Hr by taping condition
- ii) +125°C × 24Hr by heat resistant tray
- iii) Maximum 2 times for baking

※ It is recommended to wear out after opening package for the first time.

- 6) Please mount the capacitor connected with VREG and GND on neighborhood soon.



- 7) OTP memory in this product is not rewritable.
- 8) To assure stable functioning, set a ceramic capacitor of not less than 1.0uF between AVDD-GND terminals, and a ceramic capacitor of not less than 0.01uF between DVDD-GND terminals.
- 9) Sensor property may change due to the heat effect during PCB mounting. We recommend to calibrate the sensitivity and origin point of magnetic sensors after mounting
- 10) Please avoid mounting this product on the part in which magnetic field disturbance exists, such as near the ferromagnetic parts.