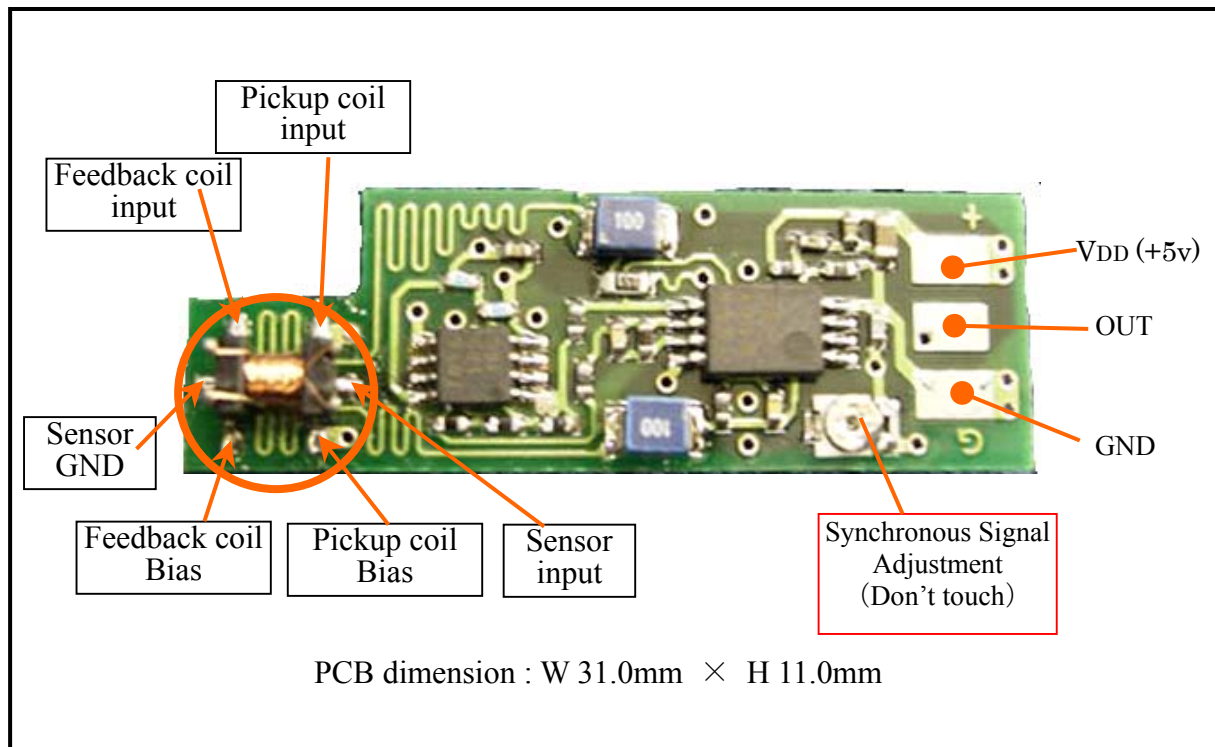


1. Pin assignment



2. Electrical characteristics

- (1) Supply Voltage : Single Supply DC +5V ($\pm 1\%$)
- (2) Consumption Current : + 13mA typ.
- (3) Magnetic field range : $\pm 0.3\text{mT}$
- (4) Linearity : 1 % / FS
- (5) Sensor output voltage : $2.5 \pm 1.5\text{V}$ ($\pm 0.3 \text{ mT}$)

3. Notice

- (1) Please return MI-sensor.
- (2) Please do not touch variable resistors on PCB. Because they are already adjusted.
- (3) If you need to adjust offset or gain , please contact us .